

# DATA SHEET



## **PCA9555**

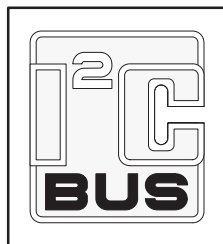
16-bit I<sup>2</sup>C-bus and SMBus I/O port with interrupt

Product data sheet  
Supersedes data of 2004 Sep 30

2006 Aug 25

16-bit I<sup>2</sup>C and SMBus I/O port with interrupt

PCA9555



## FEATURES

- Operating power supply voltage range of 2.3 V to 5.5 V
- 5 V tolerant I/Os
- Polarity inversion register
- Active-LOW interrupt output
- Low stand-by current
- Noise filter on SCL/SDA inputs
- No glitch on power-up
- Internal power-on reset
- 16 I/O pins which default to 16 inputs
- 0 kHz to 400 kHz clock frequency
- ESD protection exceeds 2000 V HBM per JESD22-A114, 200 V MM per JESD22-A115, and 1000 V CDM per JESD22-C101
- Latch-up testing is done to JESDEC Standard JESD78 which exceeds 100 mA
- Five packages offered: DIP24, SO24, SSOP24, TSSOP24, and HVQFN24

## ORDERING INFORMATION

PACKAGES	TEMPERATURE RANGE	ORDER CODE	TOPSIDE MARK	DRAWING NUMBER
24-Pin Plastic DIP	-40 °C to +85 °C	PCA9555N	PCA9555	SOT101-1
24-Pin Plastic SO	-40 °C to +85 °C	PCA9555D	PCA9555D	SOT137-1
24-Pin Plastic SSOP	-40 °C to +85 °C	PCA9555DB	PCA9555	SOT340-1
24-Pin Plastic TSSOP	-40 °C to +85 °C	PCA9555PW	PCA9555	SOT355-1
24-Pin Plastic HVQFN	-40 °C to +85 °C	PCA9555BS	9555	SOT616-1

Standard packing quantities and other packaging data are available at [www.standardproducts.philips.com/packaging](http://www.standardproducts.philips.com/packaging).

I<sup>2</sup>C is a trademark of Philips Semiconductors Corporation.

SMBus as specified by the Smart Battery System Implementers Forum is a derivative of the Philips I<sup>2</sup>C patent.

## DESCRIPTION

The PCA9555 is a 24-pin CMOS device that provide 16 bits of General Purpose parallel Input/Output (GPIO) expansion for I<sup>2</sup>C/SMBus applications and was developed to enhance the Philips family of I<sup>2</sup>C I/O expanders. The improvements include higher drive capability, 5 V I/O tolerance, lower supply current, individual I/O configuration, and smaller packaging. I/O expanders provide a simple solution when additional I/O is needed for ACPI power switches, sensors, pushbuttons, LEDs, fans, etc.

The PCA9555 consist of two 8-bit Configuration (Input or Output selection); Input, Output and Polarity inversion (Active-HIGH or Active-LOW operation) registers. The system master can enable the I/Os as either inputs or outputs by writing to the I/O configuration bits. The data for each Input or Output is kept in the corresponding Input or Output register. The polarity of the read register can be inverted with the Polarity Inversion Register. All registers can be read by the system master. Although pin-to-pin and I<sup>2</sup>C address compatible with the PCF8575, software changes are required due to the enhancements and are discussed in *Application Note AN469*.

The PCA9555 open-drain interrupt output is activated when any input state differs from its corresponding input port register state and is used to indicate to the system master that an input state has changed. The power-on reset sets the registers to their default values and initializes the device state machine.

Three hardware pins (A0, A1, A2) vary the fixed I<sup>2</sup>C address and allow up to eight devices to share the same I<sup>2</sup>C/SMBus. The fixed I<sup>2</sup>C address of the PCA9555 is the same as the PCA9554 allowing up to eight of these devices in any combination to share the same I<sup>2</sup>C/SMBus.

# 16-bit I<sup>2</sup>C and SMBus I/O port with interrupt

# PCA9555

## PIN CONFIGURATION — DIP, SO, SSOP, TSSOP

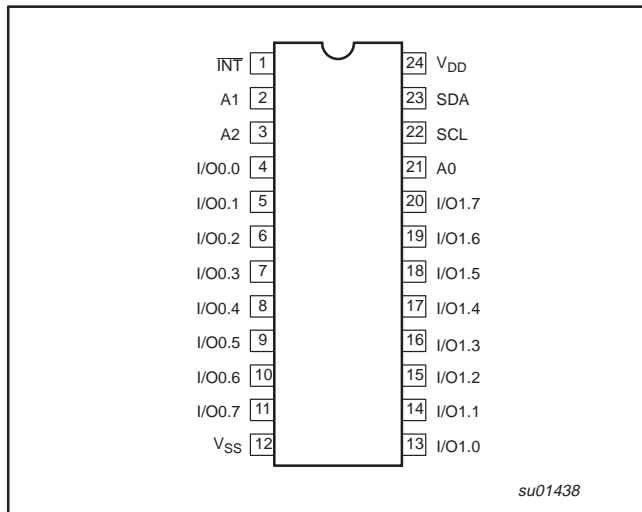


Figure 1. Pin configuration — DIP, SO, SSOP, TSSOP

## PIN CONFIGURATION — HVQFN

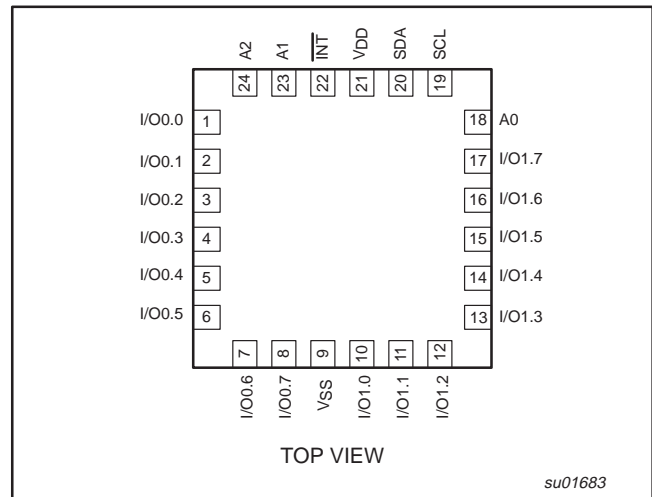


Figure 2. Pin configuration — HVQFN

## PIN DESCRIPTION

PIN NUMBER		SYMBOL	FUNCTION
DIP, SO, SSOP, TSSOP	HVQFN		
1	22	INT	Interrupt output (open-drain)
2	23	A1	Address input 1
3	24	A2	Address input 2
4–11	1–8	I/O0.0–I/O0.7	I/O0.0 to I/O0.7
12	9 <sup>(1)</sup>	V <sub>SS</sub>	Supply ground
13–20	10–17	I/O1.0–I/O1.7	I/O1.0 to I/O1.7
21	18	A0	Address input 0
22	19	SCL	Serial clock line
23	20	SDA	Serial data line
24	21	V <sub>DD</sub>	Supply voltage

### NOTES:

- HVQFN package die supply ground is connected to both V<sub>SS</sub> pin and exposed center pad. V<sub>SS</sub> pin must be connected to supply ground for proper device operation. For enhanced thermal, electrical, and board level performance, the exposed pad needs to be soldered to the board using a corresponding thermal pad on the board and for proper heat conduction through the board, thermal vias need to be incorporated in the PCB in the thermal pad region.

# 16-bit I<sup>2</sup>C and SMBus I/O port with interrupt

PCA9555

## BLOCK DIAGRAM

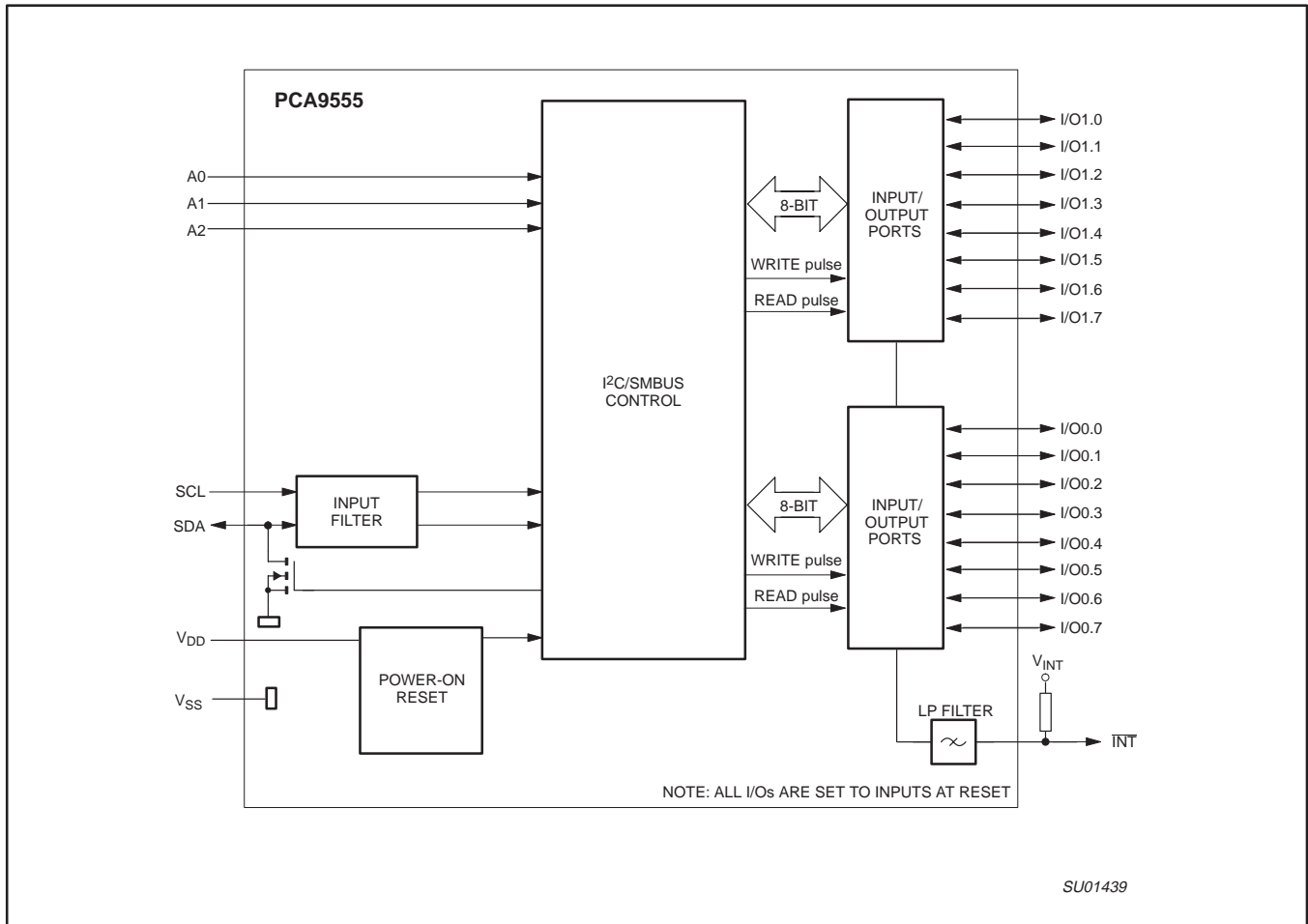
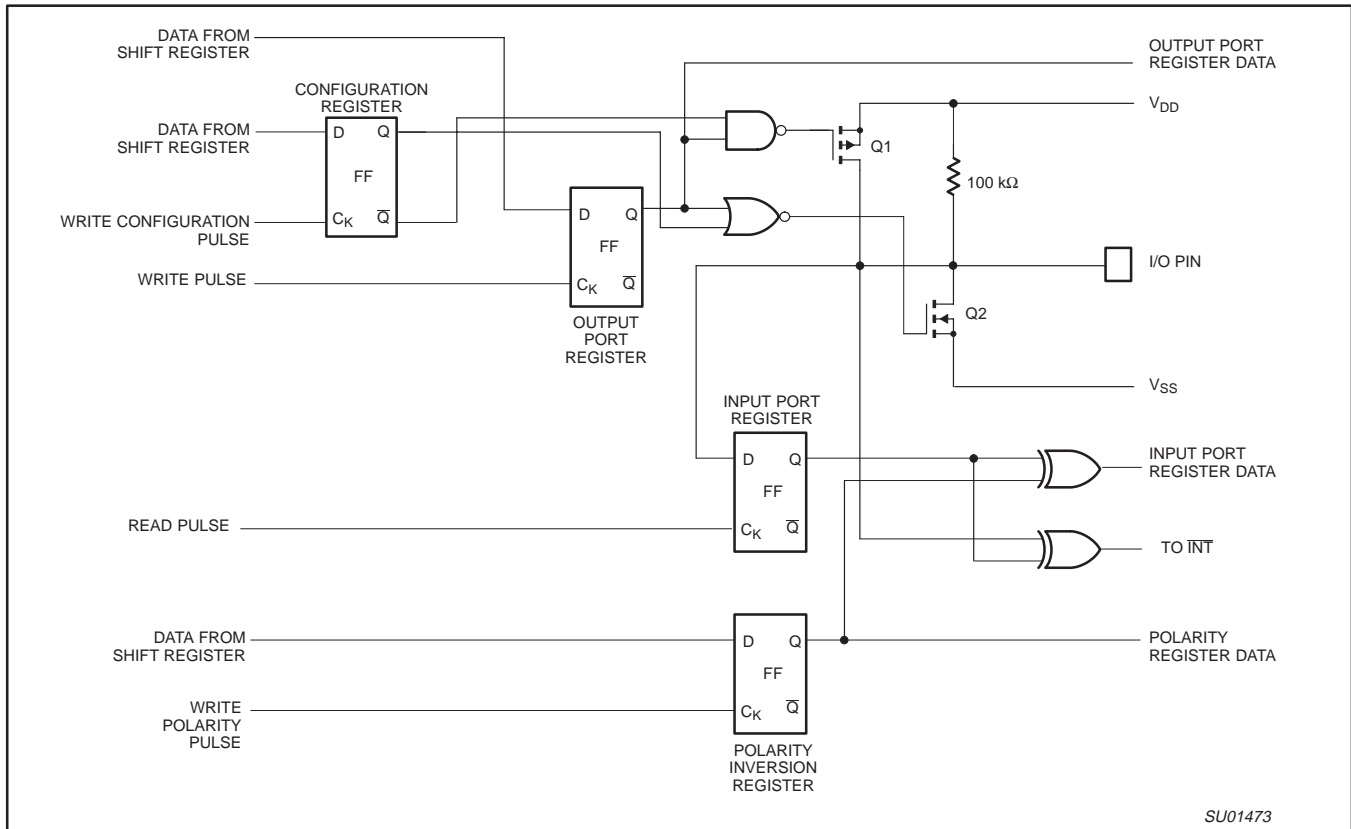


Figure 3. Block diagram

# 16-bit I<sup>2</sup>C and SMBus I/O port with interrupt

# PCA9555

## SIMPLIFIED SCHEMATIC OF I/Os



**NOTE:** At Power-on Reset, all registers return to default values.

**Figure 4. Simplified schematic of I/Os**

### I/O port

When an I/O is configured as an input, FETs Q1 and Q2 are off, creating a high impedance input with a weak pull-up to V<sub>DD</sub>. The input voltage may be raised above V<sub>DD</sub> to a maximum of 5.5 V.

If the I/O is configured as an output, then either Q1 or Q2 is on, depending on the state of the Output Port register. Care should be exercised if an external voltage is applied to an I/O configured as an output because of the low impedance path that exists between the pin and either V<sub>DD</sub> or V<sub>SS</sub>.

16-bit I<sup>2</sup>C and SMBus I/O port with interrupt

PCA9555

## REGISTERS

## Command Byte

Command	Register
0	Input port 0
1	Input port 1
2	Output port 0
3	Output port 1
4	Polarity inversion port 0
5	Polarity inversion port 1
6	Configuration port 0
7	Configuration port 1

The command byte is the first byte to follow the address byte during a write transmission. It is used as a pointer to determine which of the following registers will be written or read.

## Registers 0 and 1 — Input Port Registers

bit	I0.7	I0.6	I0.5	I0.4	I0.3	I0.2	I0.1	I0.0
default	X	X	X	X	X	X	X	X
bit	I1.7	I1.6	I1.5	I1.4	I1.3	I1.2	I1.1	I1.0
default	X	X	X	X	X	X	X	X

This register is an input-only port. It reflects the incoming logic levels of the pins, regardless of whether the pin is defined as an input or an output by Register 3. Writes to this register have no effect.

The default value 'X' is determined by the externally applied logic level.

## Registers 2 and 3 — Output Port Registers

bit	O0.7	O0.6	O0.5	O0.4	O0.3	O0.2	O0.1	O0.0
default	1	1	1	1	1	1	1	1
bit	O1.7	O1.6	O1.5	O1.4	O1.3	O1.2	O1.1	O1.0
default	1	1	1	1	1	1	1	1

This register is an output-only port. It reflects the outgoing logic levels of the pins defined as outputs by Register 6 and 7. Bit values in this register have no effect on pins defined as inputs. In turn, reads from this register reflect the value that is in the flip-flop controlling the output selection, NOT the actual pin value.

## Registers 4 and 5 — Polarity Inversion Registers

bit	N0.7	N0.6	N0.5	N0.4	N0.3	N0.2	N0.1	N0.0
default	0	0	0	0	0	0	0	0
bit	N1.7	N1.6	N1.5	N1.4	N1.3	N1.2	N1.1	N1.0
default	0	0	0	0	0	0	0	0

This register allows the user to invert the polarity of the Input Port register data. If a bit in this register is set (written with '1'), the Input Port data polarity is inverted. If a bit in this register is cleared (written with a '0'), the Input Port data polarity is retained.

## Registers 6 and 7 — Configuration Registers

bit	C0.7	C0.6	C0.5	C0.4	C0.3	C0.2	C0.1	C0.0
default	1	1	1	1	1	1	1	1
bit	C1.7	C1.6	C1.5	C1.4	C1.3	C1.2	C1.1	C1.0
default	1	1	1	1	1	1	1	1

This register configures the directions of the I/O pins. If a bit in this register is set (written with '1'), the corresponding port pin is enabled as an input with high impedance output driver. If a bit in this register is cleared (written with '0'), the corresponding port pin is enabled as an output. Note that there is a high value resistor tied to V<sub>DD</sub> at each pin. At reset the device's ports are inputs with a pull-up to V<sub>DD</sub>.

## POWER-ON RESET

When power is applied to V<sub>DD</sub>, an internal power-on reset holds the PCA9555 in a reset condition until V<sub>DD</sub> has reached V<sub>POR</sub>. At that point, the reset condition is released and the PCA9555 registers and SMBus state machine will initialize to their default states. The power-on reset typically completes the reset and enables the part by the time the power supply is above V<sub>POR</sub>. However, when it is required to reset the part by lowering the power supply, it is necessary to lower it below 0.2 V.

# 16-bit I<sup>2</sup>C and SMBus I/O port with interrupt

# PCA9555

## DEVICE ADDRESS

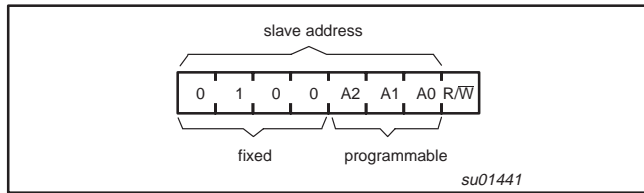


Figure 5. PCA9555 address

## BUS TRANSACTIONS

### Writing to the port registers

Data is transmitted to the PCA9555 by sending the device address and setting the least significant bit to a logic 0 (see Figure 5 for device address). The command byte is sent after the address and determines which register will receive the data following the command byte.

The eight registers within the PCA9555 are configured to operate as four register pairs. The four pairs are Input Ports, Output Ports, Polarity Inversion Ports, and Configuration Ports. After sending data to one register, the next data byte will be sent to the other register in the pair (see Figures and ). For example, if the first byte is sent to Output Port (register 3), then the next byte will be stored in Output Port 0 (register 2). There is no limitation on the number of data bytes sent in one write transmission. In this way, each 8-bit register may be updated independently of the other registers.

### Reading the port registers

In order to read data from the PCA9555, the bus master must first send the PCA9555 address with the least significant bit set to a logic 0 (see Figure 5 for device address). The command byte is sent after the address and determines which register will be accessed. After a restart, the device address is sent again but this time, the least significant bit is set to a logic 1. Data from the register defined by the command byte will then be sent by the PCA9555 (see Figures 8 and 9). Data is clocked into the register on the falling edge of the acknowledge clock pulse. After the first byte is read, additional bytes may be read but the data will now reflect the information in the other register in the pair. For example, if you read Input Port 1, then the next byte read would be Input Port 0. There is no limitation on the number of data bytes received in one read transmission but the final byte received, the bus master must not acknowledge the data.

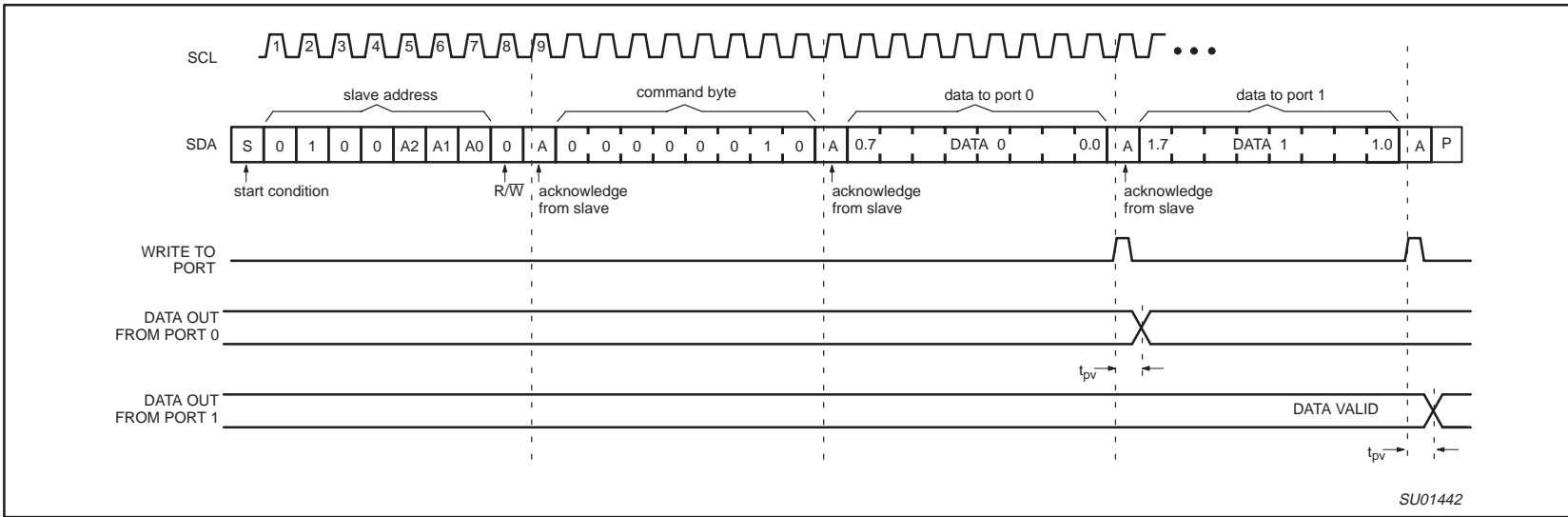
### Interrupt Output

The open-drain interrupt output is activated when one of the port pins change state and the pin is configured as an input. The interrupt is deactivated when the input returns to its previous state or the input port register is read (see Figure 9). A pin configured as an output cannot cause an interrupt. Since each 8-bit port is read independently, the interrupt caused by Port 0 will not be cleared by a read of Port 1 or the other way around.

Note that changing an I/O from an output to an input may cause a false interrupt to occur if the state of the pin does not match the contents of the Input Port register.

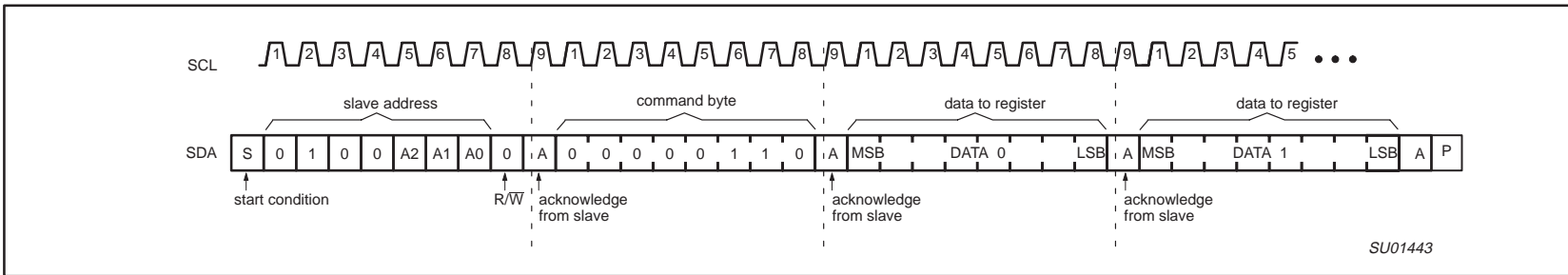
16-bit I<sup>2</sup>C-bus and SMBus I/O port with interrupt

PCA9555



SU01442

Figure 6. WRITE to output port registers



SU01443

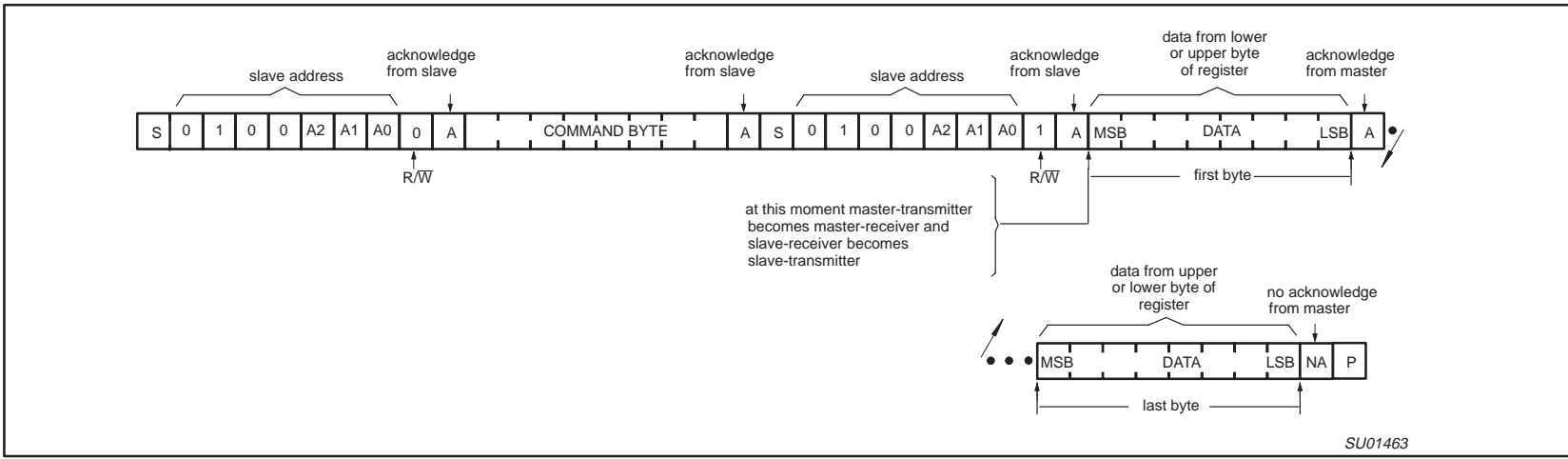
Figure 7. WRITE to configuration registers



16-bit I<sup>2</sup>C-bus and SMBus I/O port with interrupt

PCA9555

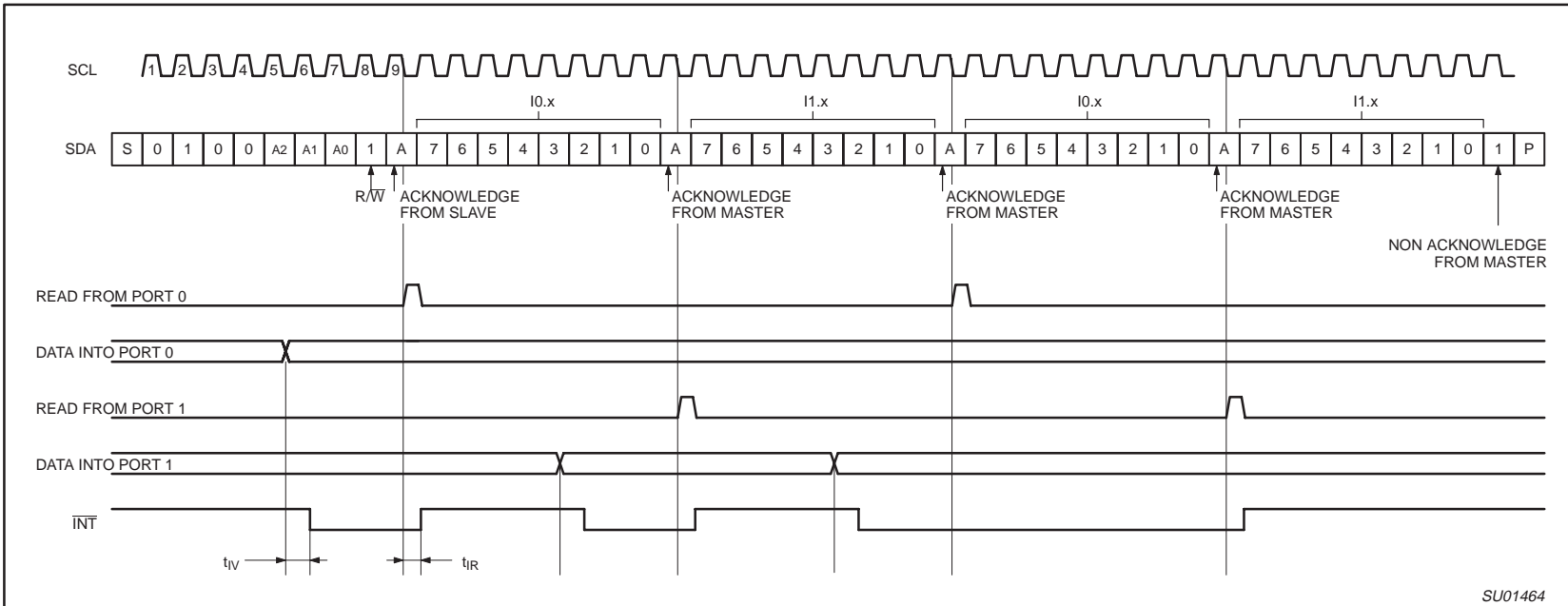
2006 Aug 25



SU01463

NOTE: Transfer can be stopped at any time by a STOP condition.

Figure 8. READ from register



SU01464

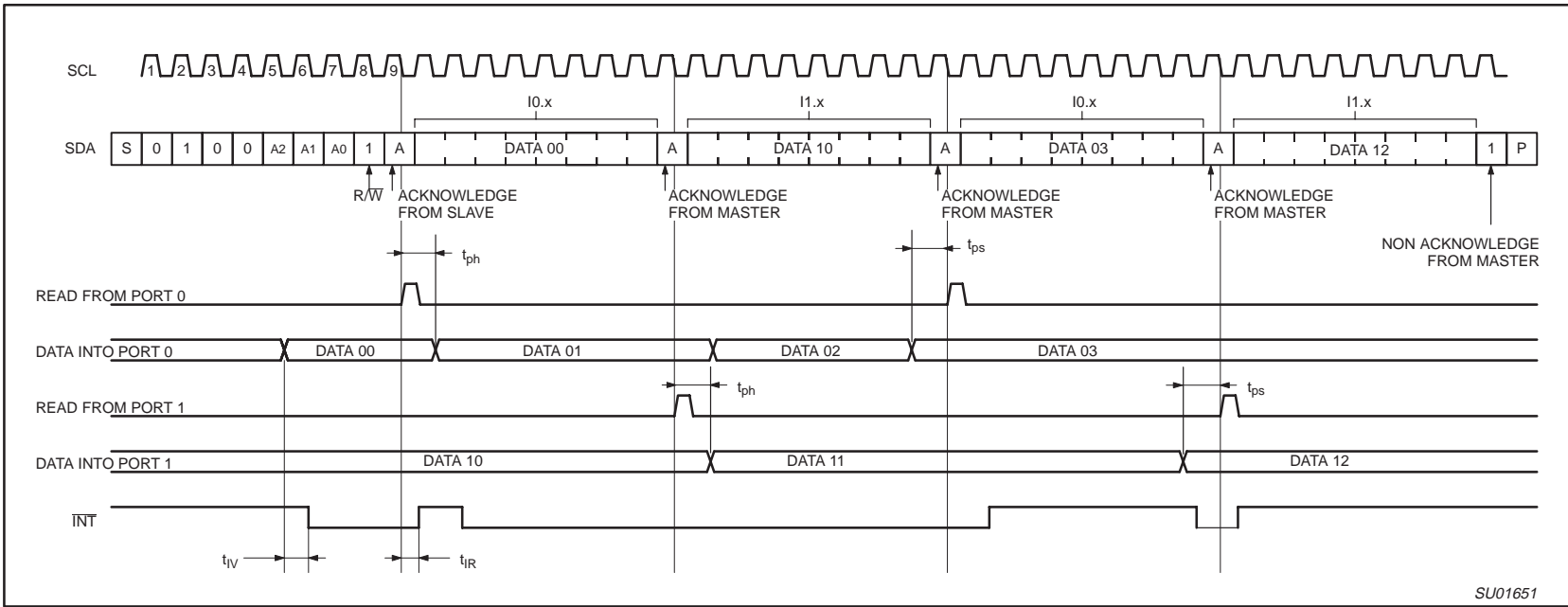
NOTES: Transfer of data can be stopped at any moment by a STOP condition. When this occurs, data present at the latest acknowledge phase is valid (output mode). It is assumed that the command byte has previously been set to 00 (read input port register).

Figure 9. READ input port register — scenario 1

9

16-bit I<sup>2</sup>C-bus and SMBus I/O port with interrupt

PCA9555



SU01651

**NOTES:** Transfer of data can be stopped at any moment by a STOP condition. When this occurs, data present at the latest acknowledge phase is valid (output mode). It is assumed that the command byte has previously been set to 00 (read input port register).

**Figure 10. READ input port register — scenario 2**

# 16-bit I<sup>2</sup>C-bus and SMBus I/O port with interrupt

# PCA9555

## TYPICAL APPLICATION

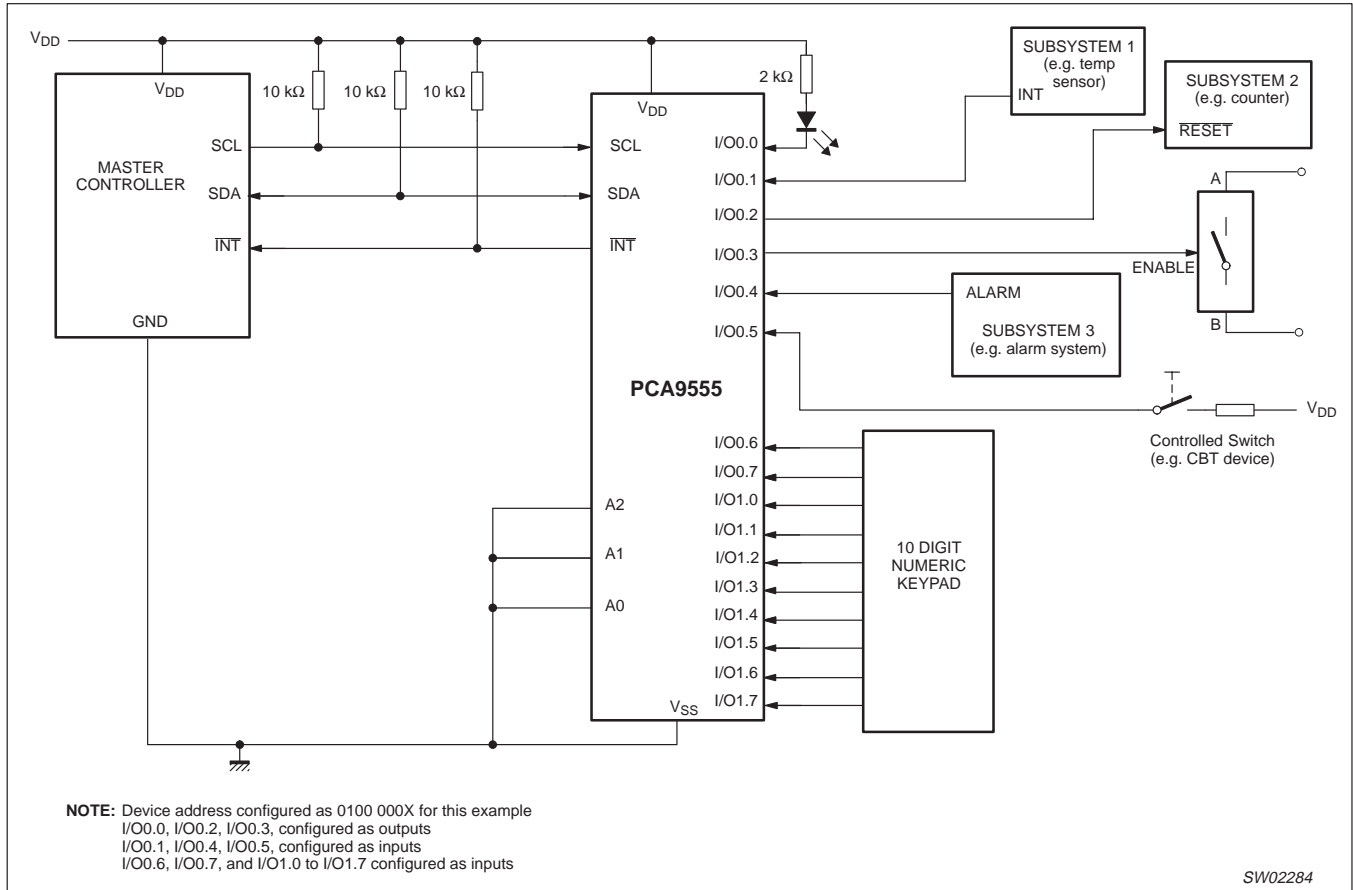


Figure 11. Typical application.

16-bit I<sup>2</sup>C-bus and SMBus I/O port with interrupt

PCA9555

**ABSOLUTE MAXIMUM RATINGS**

In accordance with the Absolute Maximum Rating System (IEC 134)

SYMBOL	PARAMETER	CONDITIONS	MIN	MAX	UNIT
V <sub>DD</sub>	Supply voltage		-0.5	6.0	V
V <sub>I/O</sub>	DC input current on an I/O		V <sub>SS</sub> - 0.5	6	V
I <sub>I/O</sub>	DC output current on an I/O		—	± 50	mA
I <sub>I</sub>	DC input current		—	± 20	mA
I <sub>DD</sub>	Supply current		—	160	mA
I <sub>SS</sub>	Supply current		—	200	mA
P <sub>tot</sub>	Total power dissipation		—	200	mW
T <sub>stg</sub>	Storage temperature range		-65	+150	°C
T <sub>amb</sub>	Operating ambient temperature		-40	+85	°C

**HANDLING**

Inputs and outputs are protected against electrostatic discharge in normal handling. However, to be totally safe, it is desirable to take precautions appropriate to handling MOS devices. Advice can be found in Data Handbook IC24 under "Handling MOS devices".

16-bit I<sup>2</sup>C-bus and SMBus I/O port with interrupt

PCA9555

**DC CHARACTERISTICS** $V_{DD} = 2.3 \text{ V to } 5.5 \text{ V}$ ;  $V_{SS} = 0 \text{ V}$ ;  $T_{amb} = -40 \text{ to } +85 \text{ }^\circ\text{C}$ ; unless otherwise specified.

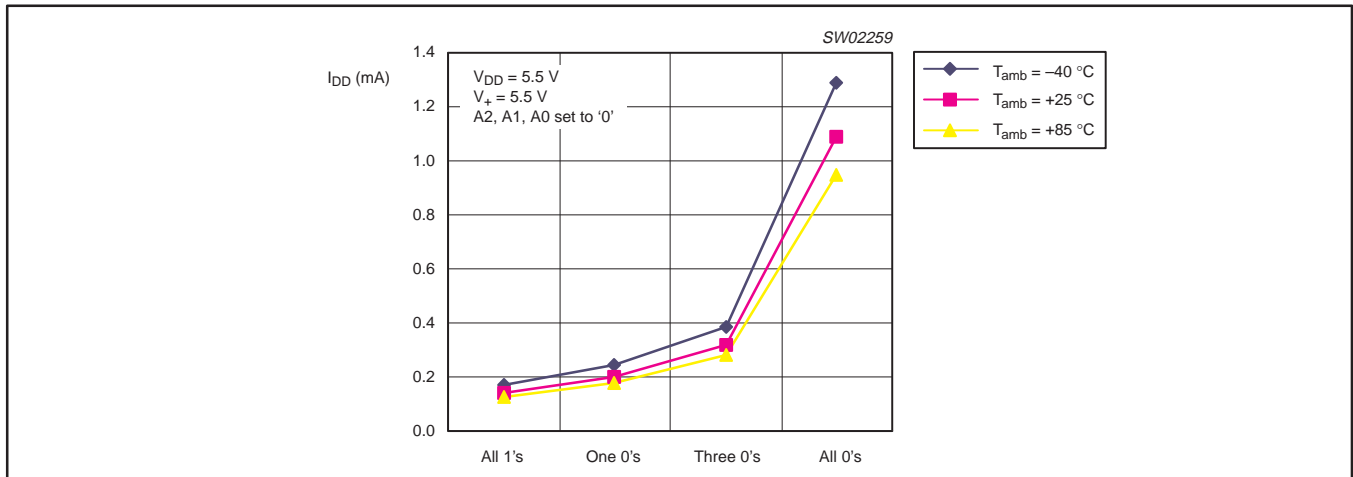
SYMBOL	PARAMETER	CONDITIONS	MIN	TYP	MAX	UNIT
<b>Supplies</b>						
$V_{DD}$	Supply voltage		2.3	—	5.5	V
$I_{DD}$	Supply current	Operating mode; $V_{DD} = 5.5 \text{ V}$ ; no load; $f_{SCL} = 100 \text{ kHz}$	—	135	200	$\mu\text{A}$
$I_{stbl}$	Standby current	Standby mode; $V_{DD} = 5.5 \text{ V}$ ; no load; $V_I = V_{SS}$ ; $f_{SCL} = 0 \text{ kHz}$ ; I/O = inputs	—	1.1	1.5	mA
$I_{stbh}$	Standby current	Standby mode; $V_{DD} = 5.5 \text{ V}$ ; no load; $V_I = V_{DD}$ ; $f_{SCL} = 0 \text{ kHz}$ ; I/O = inputs	—	0.25	1	$\mu\text{A}$
$V_{POR}$	Power-on reset voltage (Note 1)	No load; $V_I = V_{DD}$ or $V_{SS}$	—	1.5	1.65	V
<b>input SCL; input/output SDA</b>						
$V_{IL}$	LOW-level input voltage		-0.5	—	$0.3 V_{DD}$	V
$V_{IH}$	HIGH-level input voltage		$0.7 V_{DD}$	—	5.5	V
$I_{OL}$	LOW-level output current	$V_{OL} = 0.4 \text{ V}$	3	—	—	mA
$I_L$	Leakage current	$V_I = V_{DD} = V_{SS}$	-1	—	+1	$\mu\text{A}$
$C_i$	Input capacitance	$V_I = V_{SS}$	—	6	10	pF
<b>I/Os</b>						
$V_{IL}$	LOW-level input voltage		-0.5	—	$0.3V_{DD}$	V
$V_{IH}$	HIGH-level input voltage		$0.7V_{DD}$	—	5.5	V
$I_{OL}$	LOW-level output current	$V_{OL} = 0.5 \text{ V}$ ; $V_{DD} = 2.3\text{--}5.5 \text{ V}$ ; Note 2	8	8–20	—	mA
		$V_{OL} = 0.7 \text{ V}$ ; $V_{DD} = 2.3\text{--}5.5 \text{ V}$ ; Note 2	10	10–24	—	mA
$V_{OH}$	HIGH-level output voltage	$I_{OH} = -8 \text{ mA}$ ; $V_{DD} = 2.3 \text{ V}$ ; Note 3	1.8	—	—	V
		$I_{OH} = -10 \text{ mA}$ ; $V_{DD} = 2.3 \text{ V}$ ; Note 3	1.7	—	—	V
		$I_{OH} = -8 \text{ mA}$ ; $V_{DD} = 3.0 \text{ V}$ ; Note 3	2.6	—	—	V
		$I_{OH} = -10 \text{ mA}$ ; $V_{DD} = 3.0 \text{ V}$ ; Note 3	2.5	—	—	V
		$I_{OH} = -8 \text{ mA}$ ; $V_{DD} = 4.75 \text{ V}$ ; Note 3	4.1	—	—	V
		$I_{OH} = -10 \text{ mA}$ ; $V_{DD} = 4.75 \text{ V}$ ; Note 3	4.0	—	—	V
$I_{IH}$	Input leakage current	$V_{DD} = 3.6 \text{ V}$ ; $V_I = V_{DD}$	—	—	1	$\mu\text{A}$
$I_{IL}$	Input leakage current	$V_{DD} = 5.5 \text{ V}$ ; $V_I = V_{SS}$	—	—	-100	$\mu\text{A}$
$C_i$	Input capacitance		—	3.7	5	pF
$C_O$	Output capacitance		—	3.7	5	pF
<b>Interrupt INT</b>						
$I_{OL}$	LOW level output current	$V_{OL} = 0.4 \text{ V}$	3	—	—	mA
<b>Select Inputs A0, A1, A2</b>						
$V_{IL}$	LOW-level input voltage		-0.5	—	$0.3V_{DD}$	V
$V_{IH}$	HIGH-level input voltage		$0.7V_{DD}$	—	5.5	V
$I_{LI}$	Input leakage current		-1	—	1	$\mu\text{A}$

**NOTES:**

- $V_{DD}$  must be lowered to 0.2 V in order to reset part.
- Each I/O must be externally limited to a maximum of 25 mA and each octal (I/O0.0 to I/O0.7 and I/O1.0 to I/O1.7) must be limited to a maximum current of 100 mA for a device total of 200 mA.
- The total current sourced by all I/Os must be limited to 160 mA.

16-bit I<sup>2</sup>C-bus and SMBus I/O port with interrupt

PCA9555



**NOTE:**  
Each I/O adds about 0.07 mA to I<sub>DD</sub> when held LOW.

Figure 12. I<sub>DD</sub> versus number of I/Os held LOW

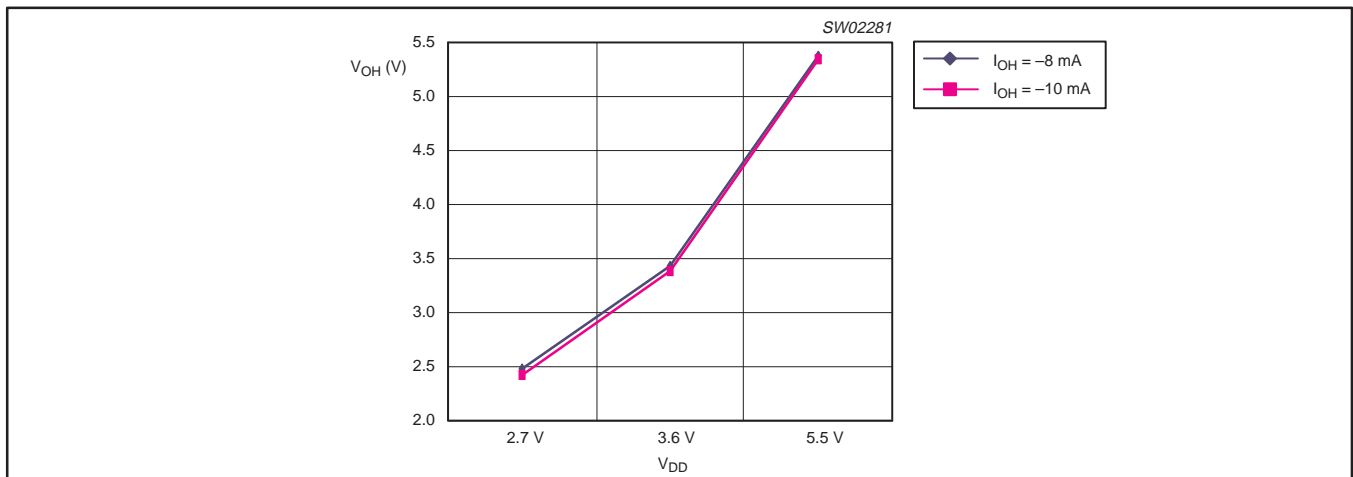


Figure 13. V<sub>OH</sub> maximum

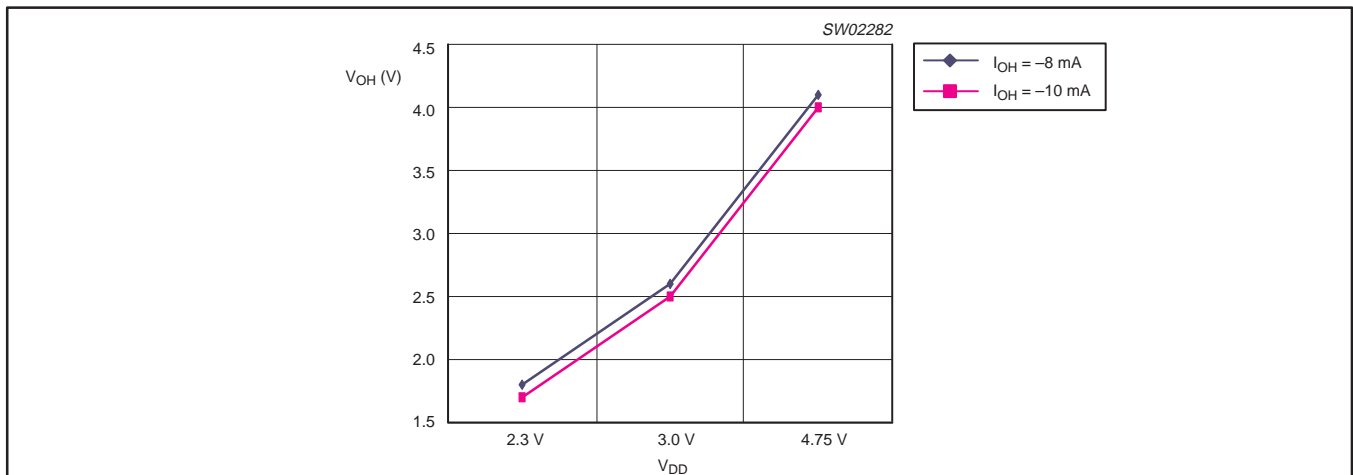


Figure 14. V<sub>OH</sub> minimum

# 16-bit I<sup>2</sup>C-bus and SMBus I/O port with interrupt

PCA9555

## AC SPECIFICATIONS

SYMBOL	PARAMETER	STANDARD MODE I <sup>2</sup> C-BUS		FAST MODE I <sup>2</sup> C-BUS		UNITS
		MIN	MAX	MIN	MAX	
f <sub>SCL</sub>	Operating frequency	0	100	0	400	kHz
t <sub>BUF</sub>	Bus free time between STOP and START conditions	4.7	—	1.3	—	μs
t <sub>HD;STA</sub>	Hold time after (repeated) START condition	4.0	—	0.6	—	μs
t <sub>SU;STA</sub>	Repeated START condition setup time	4.7	—	0.6	—	μs
t <sub>SU;STO</sub>	Setup time for STOP condition	4.0	—	0.6	—	μs
t <sub>VD;ACK</sub>	Valid time of ACK condition <sup>2</sup>	0.3	3.45	0.1	0.9	μs
t <sub>HD;DAT</sub>	Data in hold time	0	—	0	—	ns
t <sub>VD;DAT</sub>	Data out valid time <sup>3</sup>	300	—	50	—	ns
t <sub>SU;DAT</sub>	Data setup time	250	—	100	—	ns
t <sub>LOW</sub>	Clock LOW period	4.7	—	1.3	—	μs
t <sub>HIGH</sub>	Clock HIGH period	4.0	—	0.6	—	μs
t <sub>F</sub>	Clock/Data fall time	—	300	20 + 0.1C <sub>b</sub> <sup>1</sup>	300	ns
t <sub>R</sub>	Clock/Data rise time	—	1000	20 + 0.1C <sub>b</sub> <sup>1</sup>	300	ns
t <sub>SP</sub>	Pulse width of spikes that must be suppressed by the input filters	—	50	—	50	ns
<b>Port Timing</b>						
t <sub>PV</sub>	Output data valid	—	200	—	200	ns
t <sub>PS</sub>	Input data setup time	150	—	150	—	ns
t <sub>PH</sub>	Input data hold time	1	—	1	—	μs
<b>Interrupt Timing</b>						
t <sub>IV</sub>	Interrupt valid	—	4	—	4	μs
t <sub>IR</sub>	Interrupt reset	—	4	—	4	μs

**NOTES:**

- C<sub>b</sub> = total capacitance of one bus line in pF.
- t<sub>VD;ACK</sub> = time for Acknowledgement signal from SCL LOW to SDA (out) LOW.
- t<sub>VD;DAT</sub> = minimum time for SDA data out to be valid following SCL LOW.

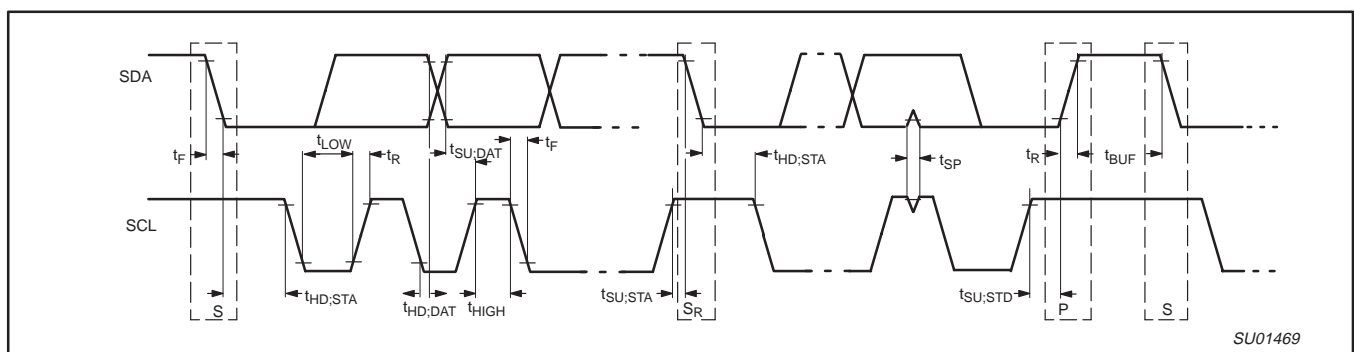


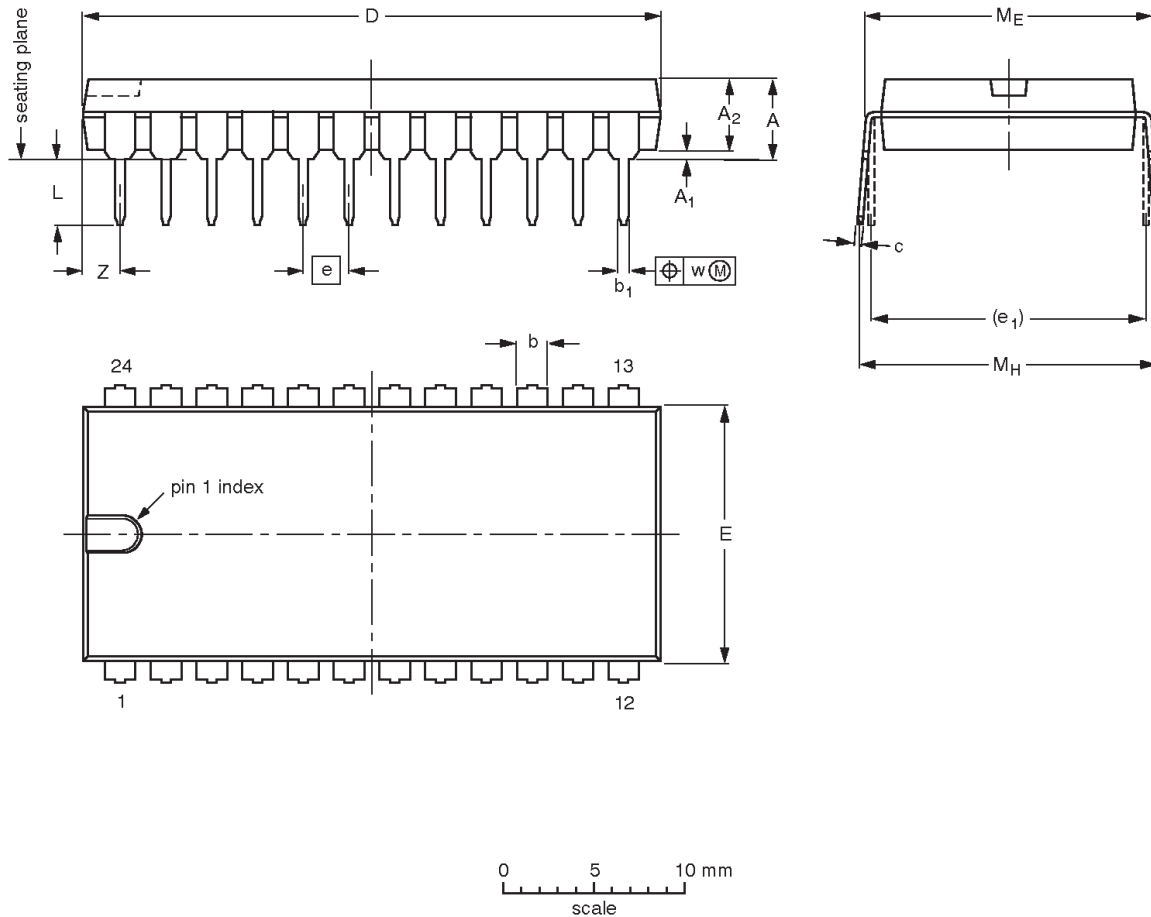
Figure 15. Definition of timing

16-bit I<sup>2</sup>C-bus and SMBus I/O port with interrupt

PCA9555

DIP24: plastic dual in-line package; 24 leads (600 mil)

SOT101-1



DIMENSIONS (inch dimensions are derived from the original mm dimensions)

UNIT	A max.	A <sub>1</sub> min.	A <sub>2</sub> max.	b	b <sub>1</sub>	c	D <sup>(1)</sup>	E <sup>(1)</sup>	e	e <sub>1</sub>	L	M <sub>E</sub>	M <sub>H</sub>	w	Z <sup>(1)</sup> max.
mm	5.1	0.51	4	1.7 1.3	0.53 0.38	0.32 0.23	32.0 31.4	14.1 13.7	2.54	15.24	3.9 3.4	15.80 15.24	17.15 15.90	0.25	2.2
inches	0.2	0.02	0.16	0.066 0.051	0.021 0.015	0.013 0.009	1.26 1.24	0.56 0.54	0.1	0.6	0.15 0.13	0.62 0.60	0.68 0.63	0.01	0.087

Note

1. Plastic or metal protrusions of 0.25 mm (0.01 inch) maximum per side are not included.

OUTLINE VERSION	REFERENCES				EUROPEAN PROJECTION	ISSUE DATE
	IEC	JEDEC	JEITA			
SOT101-1	051G02	MO-015	SC-509-24			99-12-27 03-02-13

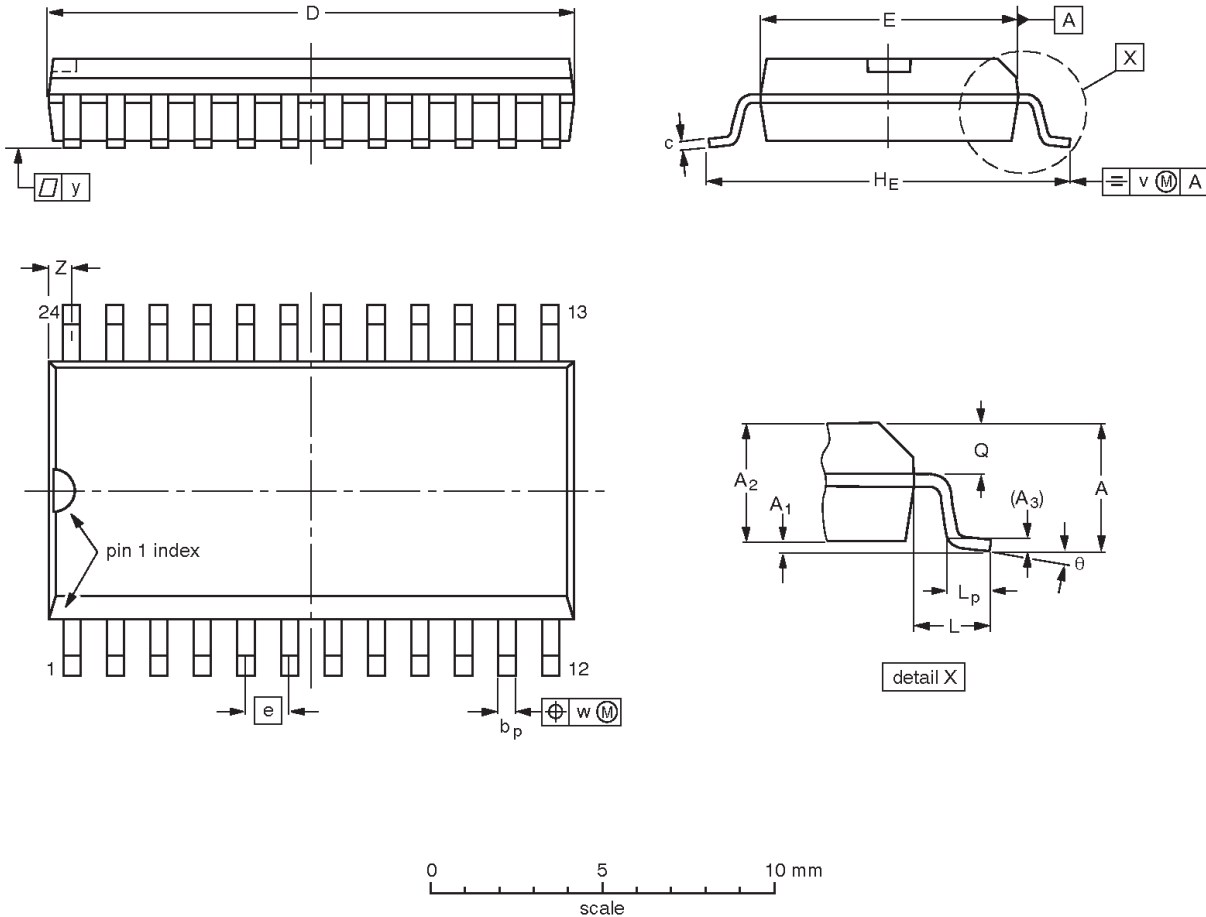


16-bit I<sup>2</sup>C-bus and SMBus I/O port with interrupt

PCA9555

SO24: plastic small outline package; 24 leads; body width 7.5 mm

SOT137-1



**DIMENSIONS (inch dimensions are derived from the original mm dimensions)**

UNIT	A max.	A <sub>1</sub>	A <sub>2</sub>	A <sub>3</sub>	b <sub>p</sub>	c	D <sup>(1)</sup>	E <sup>(1)</sup>	e	HE	L	L <sub>p</sub>	Q	v	w	y	Z <sup>(1)</sup>	θ
mm	2.65	0.3 0.1	2.45 2.25	0.25	0.49 0.36	0.32 0.23	15.6 15.2	7.6 7.4	1.27	10.65 10.00	1.4	1.1 0.4	1.1 1.0	0.25	0.25	0.1	0.9 0.4	8° 0°
inches	0.1	0.012 0.004	0.096 0.089	0.01	0.019 0.014	0.013 0.009	0.61 0.60	0.30 0.29	0.05	0.419 0.394	0.055	0.043 0.016	0.043 0.039	0.01	0.01	0.004	0.035 0.016	

**Note**

1. Plastic or metal protrusions of 0.15 mm (0.006 inch) maximum per side are not included.

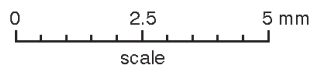
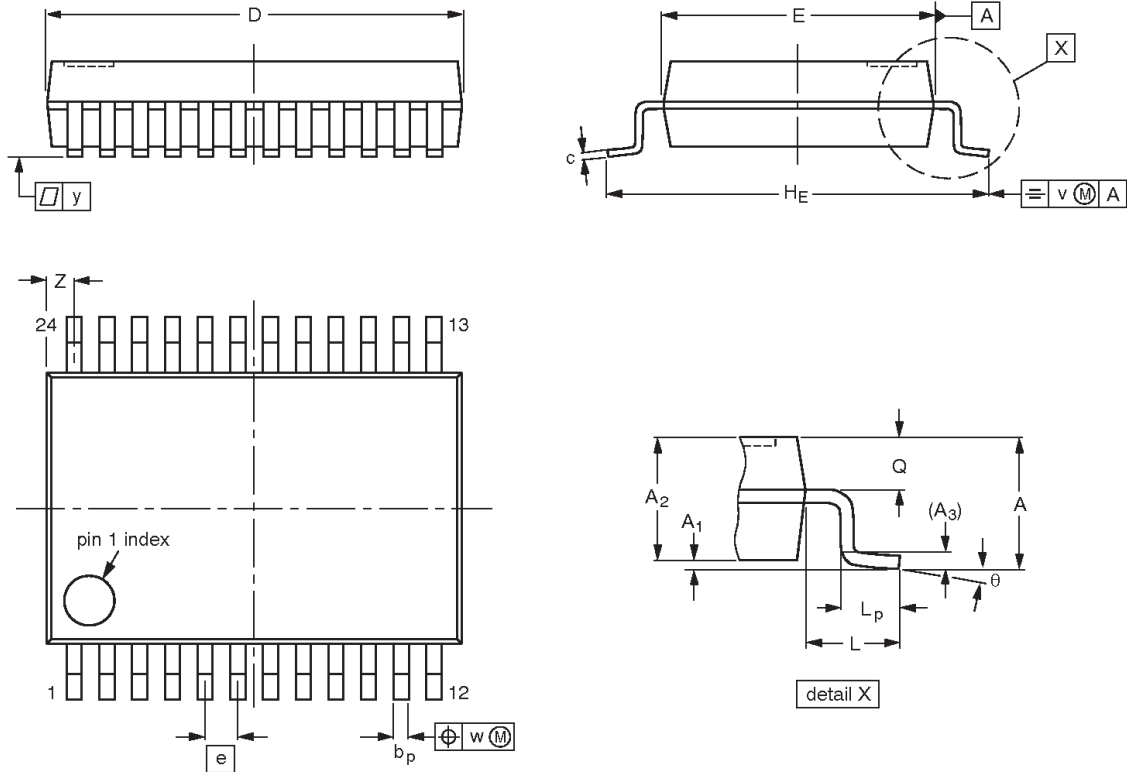
OUTLINE VERSION	REFERENCES				EUROPEAN PROJECTION	ISSUE DATE
	IEC	JEDEC	JEITA			
SOT137-1	075E05	MS-013				-99-12-27 03-02-19

16-bit I<sup>2</sup>C-bus and SMBus I/O port with interrupt

PCA9555

SSOP24: plastic shrink small outline package; 24 leads; body width 5.3 mm

SOT340-1



**DIMENSIONS (mm are the original dimensions)**

UNIT	A max.	A <sub>1</sub>	A <sub>2</sub>	A <sub>3</sub>	b <sub>p</sub>	c	D <sup>(1)</sup>	E <sup>(1)</sup>	e	H <sub>E</sub>	L	L <sub>p</sub>	Q	v	w	y	Z <sup>(1)</sup>	θ
mm	2	0.21 0.05	1.80 1.65	0.25	0.38 0.25	0.20 0.09	8.4 8.0	5.4 5.2	0.65	7.9 7.6	1.25	1.03 0.63	0.9 0.7	0.2	0.13	0.1	0.8 0.4	8° 0°

**Note**

1. Plastic or metal protrusions of 0.2 mm maximum per side are not included.

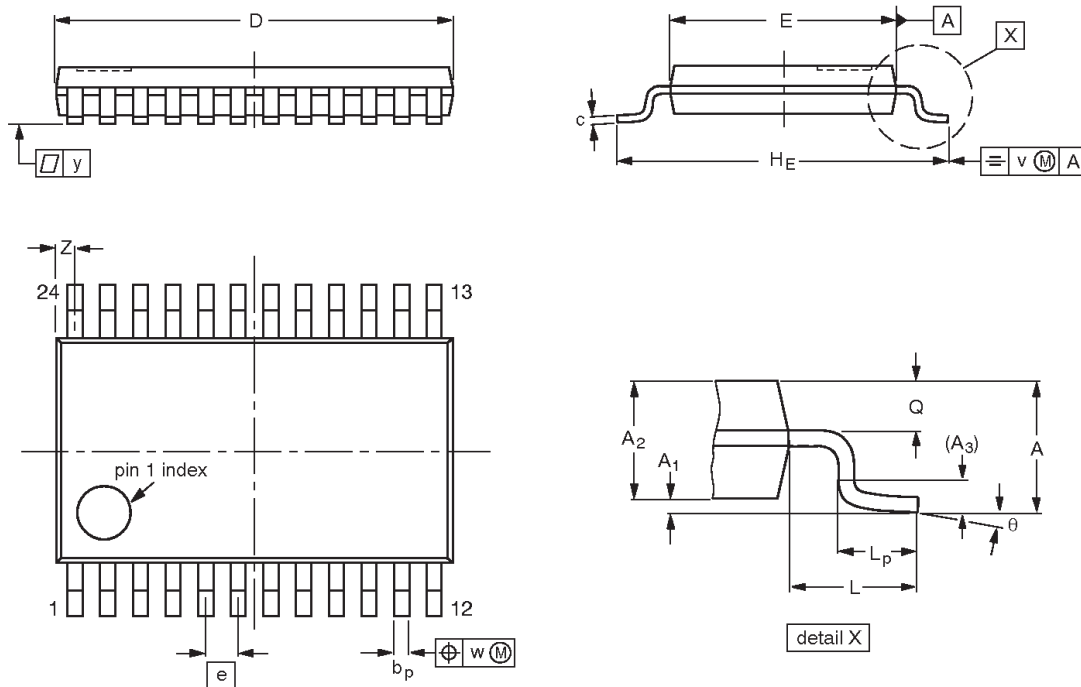
OUTLINE VERSION	REFERENCES				EUROPEAN PROJECTION	ISSUE DATE
	IEC	JEDEC	JEITA			
SOT340-1		MO-150				99-12-27 03-02-19

# 16-bit I<sup>2</sup>C-bus and SMBus I/O port with interrupt

# PCA9555

**TSSOP24:** plastic thin shrink small outline package; 24 leads; body width 4.4 mm

**SOT355-1**



**DIMENSIONS (mm are the original dimensions)**

UNIT	A max.	A <sub>1</sub>	A <sub>2</sub>	A <sub>3</sub>	b <sub>p</sub>	c	D <sup>(1)</sup>	E <sup>(2)</sup>	e	H <sub>E</sub>	L	L <sub>p</sub>	Q	v	w	y	Z <sup>(1)</sup>	θ
mm	1.1	0.15 0.05	0.95 0.80	0.25	0.30 0.19	0.2 0.1	7.9 7.7	4.5 4.3	0.65	6.6 6.2	1	0.75 0.50	0.4 0.3	0.2	0.13	0.1	0.5 0.2	8° 0°

**Notes**

1. Plastic or metal protrusions of 0.15 mm maximum per side are not included.
2. Plastic interlead protrusions of 0.25 mm maximum per side are not included.

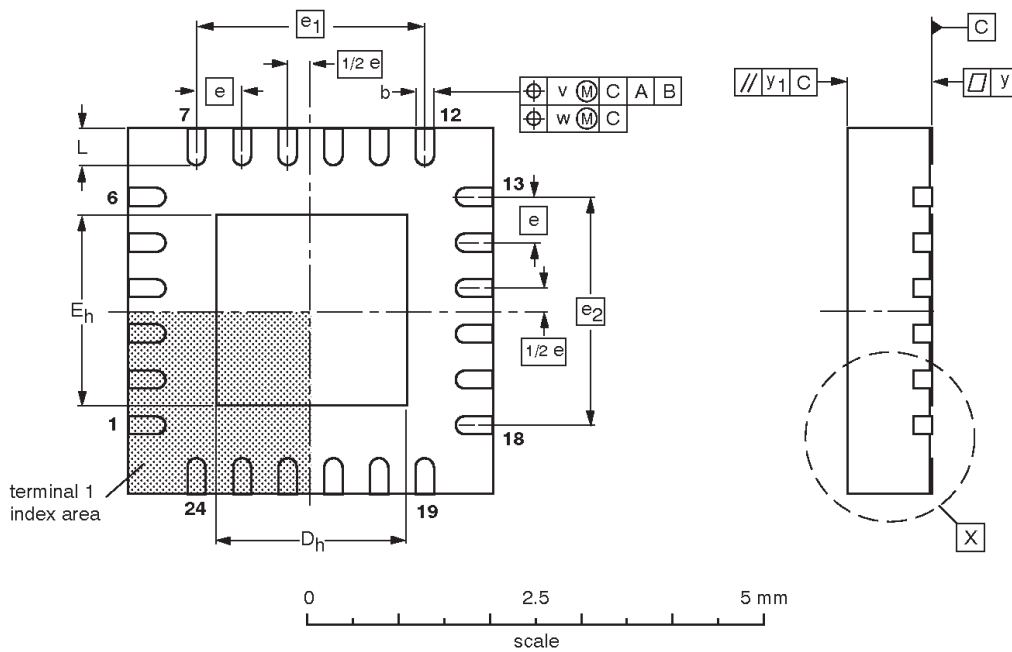
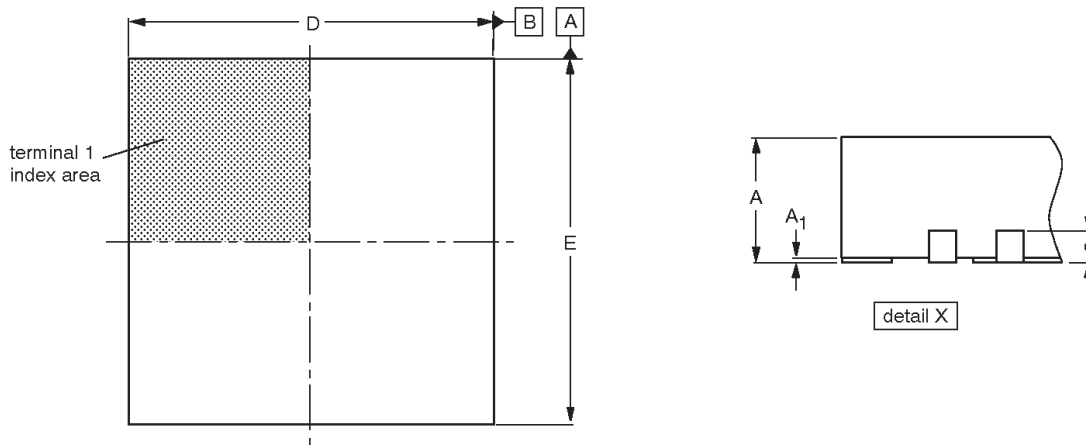
OUTLINE VERSION	REFERENCES				EUROPEAN PROJECTION	ISSUE DATE
	IEC	JEDEC	JEITA			
SOT355-1		MO-153				-99-12-27 03-02-19

# 16-bit I<sup>2</sup>C-bus and SMBus I/O port with interrupt

# PCA9555

**HVQFN24:** plastic thermal enhanced very thin quad flat package; no leads; 24 terminals; body 4 x 4 x 0.85 mm

**SOT616-1**



**DIMENSIONS (mm are the original dimensions)**

UNIT	A <sup>(1)</sup> max.	A <sub>1</sub>	b	c	D <sup>(1)</sup>	D <sub>h</sub>	E <sup>(1)</sup>	E <sub>h</sub>	e	e <sub>1</sub>	e <sub>2</sub>	L	v	w	y	y <sub>1</sub>
mm	1	0.05 0.00	0.30 0.18	0.2	4.1 3.9	2.25 1.95	4.1 3.9	2.25 1.95	0.5	2.5	2.5	0.5 0.3	0.1	0.05	0.05	0.1

**Note**

1. Plastic or metal protrusions of 0.075 mm maximum per side are not included.

OUTLINE VERSION	REFERENCES				EUROPEAN PROJECTION	ISSUE DATE
	IEC	JEDEC	JEITA			
SOT616-1	---	MO-220	---			01-08-08 02-10-22

16-bit I<sup>2</sup>C-bus and SMBus I/O port with interrupt

PCA9555

## REVISION HISTORY

Rev	Date	Description
_6	20060825	<b>Product data sheet. Supersedes data of 2004 Sep 30 (9397 750 14125).</b> Modifications: <ul style="list-style-type: none"> <li>● Added note 1 following Pin description table on page 3, and its reference at HVQFN pin 9.</li> <li>● Figure 8, "READ from register" modified (corrected 2nd slave address)</li> <li>● Figure 11, "Typical application" modified (added pin A2; corrected device address in NOTE)</li> </ul>
_5	20040930	<b>Product data sheet (9397 750 14125). Supersedes data of 2004 Jul 27 (9397 750 13271).</b>
_4	20040727	<b>Product data (9397 750 13271). Supersedes data of 2002 Jul 26 (9397 750 10164).</b>
_3	20020726	<b>Product data (9397 750 10164). ECN 853-2252 28672 of 26 July 2002. Supersedes data of 2002 May 13 (9397 750 09818).</b>
_2	20020513	<b>Product data (9397 750 09818).</b>
_1	20010507	<b>Product data (9397 750 08343).</b>

## 16-bit I2C-bus and SMBus I/O port with interrupt

PCA9555

## Legal Information

### Data sheet status

Document status <sup>[1][2]</sup>	Product status <sup>[3]</sup>	Definition
Objective [short] data sheet	Development	This document contains data from the objective specification for product development.
Preliminary [short] data sheet	Qualification	This document contains data from the preliminary specification.
Product [short] data sheet	Production	This document contains the product specification.

[1] Please consult the most recently issued document before initiating or completing a design.

[2] The term 'short data sheet' is explained in section "Definitions".

[3] The product status of device(s) described in this document may have changed since this data sheet was published and may differ in case of multiple devices. The latest product status information is available on the Internet at URL <http://www.semiconductors.philips.com>.

### Definitions

**Draft** — The document is a draft version only. The content is still under internal review and subject to formal approval, which may result in modifications or additions. Philips Semiconductors does not give any representations or warranties as to the accuracy or completeness of information included herein and shall have no liability for the consequences of use of such information.

**Short data sheet** — A short data sheet is an extract from a full data sheet with the same product type number(s) and title. A short data sheet is intended for quick reference only and should not be relied upon to contain detailed and full information. For detailed and full information see the relevant full data sheet, which is available on request via the local Philips Semiconductors sales office. In case of any inconsistency or conflict with the short data sheet, the full data sheet shall prevail.

### Disclaimers

**General** — Information in this document is believed to be accurate and reliable. However, Philips Semiconductors does not give any representations or warranties, expressed or implied, as to the accuracy or completeness of such information and shall have no liability for the consequences of use of such information.

**Right to make changes** — Philips Semiconductors reserves the right to make changes to information published in this document, including without limitation specifications and product descriptions, at any time and without notice. This document supersedes and replaces all information supplied prior to the publication hereof.

**Suitability for use** — Philips Semiconductors products are not designed, authorized or warranted to be suitable for use in medical, military, aircraft, space or life support equipment, nor in applications where failure or malfunction of a Philips Semiconductors product can reasonably be expected to result in personal injury, death or severe property or environmental damage. Philips Semiconductors accepts no liability for

inclusion and/or use of Philips Semiconductors products in such equipment or applications and therefore such inclusion and/or use is at the customer's own risk.

**Applications** — Applications that are described herein for any of these products are for illustrative purposes only. Philips Semiconductors makes no representation or warranty that such applications will be suitable for the specified use without further testing or modification.

**Limiting values** — Stress above one or more limiting values (as defined in the Absolute Maximum Ratings System of IEC 60134) may cause permanent damage to the device. Limiting values are stress ratings only and operation of the device at these or any other conditions above those given in the Characteristics sections of this document is not implied. Exposure to limiting values for extended periods may affect device reliability.

**Terms and conditions of sale** — Philips Semiconductors products are sold subject to the general terms and conditions of commercial sale, as published at <http://www.semiconductors.philips.com/profile/terms>, including those pertaining to warranty, intellectual property rights infringement and limitation of liability, unless explicitly otherwise agreed to in writing by Philips Semiconductors. In case of any inconsistency or conflict between information in this document and such terms and conditions, the latter will prevail.

**No offer to sell or license** — Nothing in this document may be interpreted or construed as an offer to sell products that is open for acceptance or the grant, conveyance or implication of any license under any copyrights, patents or other industrial or intellectual property rights.

### Trademarks

Notice: All referenced brands, product names, service names and trademarks are the property of their respective owners.

**I<sup>2</sup>C-bus** — logo is a trademark of Koninklijke Philips Electronics N.V.

## Contact information

For additional information please visit: <http://www.semiconductors.philips.com>

For sales office addresses, send an e-mail to: [sales.addresses@www.semiconductors.philips.com](mailto:sales.addresses@www.semiconductors.philips.com)

Please be aware that important notices concerning this document and the product(s) described herein, have been included in section "Legal information".



© Koninklijke Philips Electronics N.V. 2006. All rights reserved.  
For more information, please visit <http://www.semiconductors.philips.com>.  
For sales office addresses, email to: [sales.addresses@www.semiconductors.philips.com](mailto:sales.addresses@www.semiconductors.philips.com).

Date of release: 20060825

Document identifier: PCA9555\_6