

**MCO150-16IO1**

**IXYS**

**Buy Now**



**Looking for a discount?**

**[Check out our current promotions!](#)**

**Give us a call**

**1-855-837-4225**

International: 1-415-281-3866

## Email Us

Sales and New Orders: [sales@verical.com](mailto:sales@verical.com)

Order Support: [support@verical.com](mailto:support@verical.com)

Suppliers: [Visit our seller page](#)

## Company Address

Arrow Electronics, Inc  
9201 East Dry Creek Road  
Centennial, CO 80112

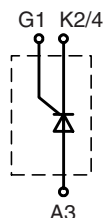
This coversheet was created by Verical, a division of Arrow Electronics, Inc. ("Verical"). The attached document was created by the part supplier, not Verical, and is provided strictly 'as is.' Verical, its subsidiaries, affiliates, employees, and agents make no representations or warranties regarding the attached document and disclaim any liability for the consequences of relying on the information therein. All referenced brands, product names, service names, and trademarks are the property of their respective owners.

# Single Thyristor Module

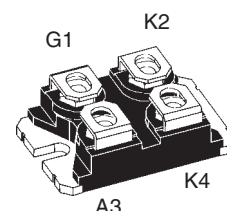
$I_{TRMS} = 234 \text{ A}$   
 $V_{RRM} = 1200-1600 \text{ V}$   
 $I_{TAV} = 149 \text{ A}$

Preliminary data

$V_{RSM}$ $V_{DSM}$ $V$	$V_{RRM}$ $V_{DRM}$ $V$	Type
1200	1200	MCO 150-12io1
1600	1600	MCO 150-16io1



miniBLOC, SOT-227 B



Symbol	Test Conditions	Maximum Ratings
$I_{TRMS}$	$T_{VJ} = T_{VJM}$	234 A
$I_{TAV}$	$T_C = 80^\circ\text{C}; (180^\circ \text{ sine})$	149 A
$I_{TSM}$	$T_{VJ} = 45^\circ\text{C};$ $V_R = 0$	$t = 10 \text{ ms (50 Hz), sine}$ 2000 A
		$t = 8.3 \text{ ms (60 Hz), sine}$ 2150 A
$I^2t$	$T_{VJ} = T_{VJM}$ $V_R = 0$	$t = 10 \text{ ms (50 Hz), sine}$ 1750 A
		$t = 8.3 \text{ ms (60 Hz), sine}$ 1850 A
$I^2t$	$T_{VJ} = 45^\circ\text{C}$ $V_R = 0$	$t = 10 \text{ ms (50 Hz), sine}$ 20000 $A^2s$
		$t = 8.3 \text{ ms (60 Hz), sine}$ 19400 $A^2s$
$(di/dt)_{cr}$	$T_{VJ} = T_{VJM}$ $f = 50 \text{ Hz}, t_p = 200 \mu\text{s}$ $V_D = \frac{2}{3} V_{DRM}$ $I_G = 0.45 \text{ A}$ $di_G/dt = 0.45 \text{ A}/\mu\text{s}$	repetitive, $I_T = 150 \text{ A}$ 100 $A/\mu\text{s}$
		non repetitive, $I_T = I_{TAVM}$ 500 $A/\mu\text{s}$
$(dv/dt)_{cr}$	$T_{VJ} = T_{VJM};$ $R_{GK} = \infty;$ method 1 (linear voltage rise)	$V_{DR} = \frac{2}{3} V_{DRM}$ 1000 $V/\mu\text{s}$
$P_{GM}$	$T_{VJ} = T_{VJM}$ $I_T = I_{TAVM}$	$t_p = 30 \mu\text{s}$ 10 W
		$t_p = 300 \mu\text{s}$ 5 W
$P_{GAVM}$		0.5 W
$V_{RGM}$		10 V
$T_{VJ}$		-40...+150 $^\circ\text{C}$
$T_{VJM}$		150 $^\circ\text{C}$
$T_{stg}$		-40...+150 $^\circ\text{C}$
$V_{ISOL}$	50/60 Hz, RMS; $I_{ISOL} \leq 1 \text{ mA}$	2500 V~
$M_d$	Mounting torque (M4)	1.1 - 1.5 / 9 - 13 Nm/lb.in.
	Terminal connection torque (M4)	1.1 - 1.5 / 9 - 13 Nm/lb.in.
Weight	typ.	30 g

## Features

- International standard package miniBLOC (ISOTOP compatible)
- Isolation voltage 2500 V~
- Planar passivated chips

## Applications

- Solid state switches
- motor control
- soft starter
- light and temperature control

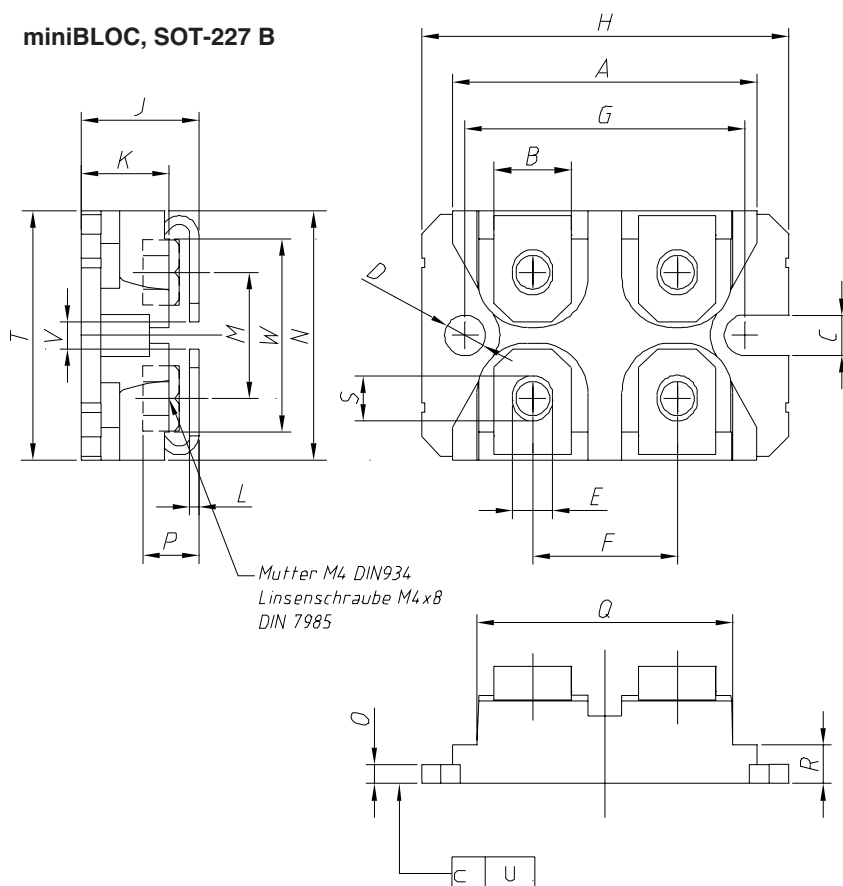
## Advantages

- Easy to mount with two screws
- Space and weight savings
- Improved temperature and power cycling
- High power density

Data according to IEC 60747 and to a single thyristor/diode unless otherwise stated.

IXYS reserves the right to change limits, Conditions and dimensions.

Symbol	Test Conditions	Characteristic Values	
$I_{RRM/DRM}$	$T_{VJ} = 125^{\circ}\text{C}; V_R = V_{RRM}; V_D = V_{DRM}$	$\leq$	10 mA
$V_T$	$I_T = 80; T_{VJ} = 25^{\circ}\text{C}$	$\leq$	1.16 V
$V_{T0}$	For power-loss calculations only		0.8 V
$r_T$			3.8 m $\Omega$
$V_{GT}$	$V_D = 6\text{ V}; T_{VJ} = 25^{\circ}\text{C}$	$\leq$	1.5 V
	$T_{VJ} = -40^{\circ}\text{C}$	$\leq$	1.6 V
$I_{GT}$	$V_D = 6\text{ V}; T_{VJ} = 25^{\circ}\text{C}$	$\leq$	150 mA
	$T_{VJ} = -40^{\circ}\text{C}$	$\leq$	200 mA
$V_{GD}$	$T_{VJ} = T_{VJM}; V_D = \frac{2}{3} V_{DRM}$	$\leq$	0.2 V
$I_{GD}$		$\leq$	5 mA
$I_L$	$T_{VJ} = 25^{\circ}\text{C}; t_p = 10\ \mu\text{s}$ $I_G = 0.45\text{ A}; di_G/dt = 0.45\text{ A}/\mu\text{s}$	$\leq$	450 mA
$I_H$	$T_{VJ} = 25^{\circ}\text{C}; V_D = 6\text{ V}; R_{GK} = \infty$	$\leq$	200 mA
$t_{gd}$	$T_{VJ} = 25^{\circ}\text{C}; V_D = \frac{1}{2} V_{DRM}$ $I_G = 0.45\text{ A}; di_G/dt = 0.45\text{ A}/\mu\text{s}$	$\leq$	2 $\mu\text{s}$
$t_q$	$T_{VJ} = T_{VJM}; I_T = 20\text{ A}, t_p = 200\ \mu\text{s}; di/dt = -10\text{ A}/\mu\text{s}$ $V_R = 100\text{ V}; dv/dt = 15\text{ V}/\mu\text{s}; V_D = \frac{2}{3} V_{DRM}$	typ.	150 $\mu\text{s}$
$R_{thJC}$	DC current		0.2 K/W
$R_{thCH}$	DC current	typ.	0.1 K/W
$d_s$	Creeping distance on surface		8 mm
$d_A$	Creepage distance in air		4 mm
$a$	Max. allowable acceleration		50 m/s <sup>2</sup>

**miniBLOC, SOT-227 B**


M4 screws (4x) supplied

Dim.	Millimeter		Inches	
	Min.	Max.	Min.	Max.
A	31.50	31.88	1.240	1.255
B	7.80	8.20	0.307	0.323
C	4.09	4.29	0.161	0.169
D	4.09	4.29	0.161	0.169
E	4.09	4.29	0.161	0.169
F	14.91	15.11	0.587	0.595
G	30.12	30.30	1.186	1.193
H	37.80	38.23	1.489	1.505
J	11.68	12.22	0.460	0.481
K	8.92	9.60	0.351	0.378
L	0.76	0.84	0.030	0.033
M	12.60	12.85	0.496	0.506
N	25.15	25.42	0.990	1.001
O	1.98	2.13	0.078	0.084
P	4.95	5.97	0.195	0.235
Q	26.54	26.90	1.045	1.059
R	3.94	4.42	0.155	0.174
S	4.72	4.85	0.186	0.191
T	24.59	25.07	0.968	0.987
U	-0.05	0.1	-0.002	0.004
V	3.30	4.57	0.130	0.180
W	0.780	0.830	0.031	0.033

IXYS reserves the right to change limits, Conditions and dimensions.