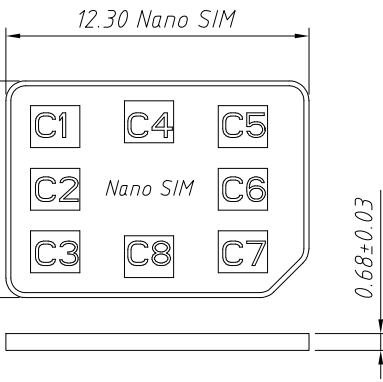
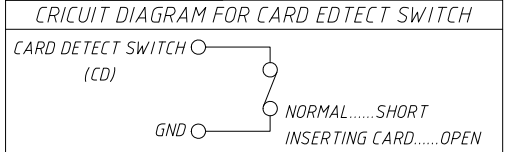



Material:
 Insulator: High Temperature Thermoplastic, UL94V-0.
 Contact: Copper Alloy, Plated 50u" Ni Overall, PAD Au 1u".
 Shell: SUS. All Ni 30U/MIN.
Electrical:
 Current Rating: 0.5A amperes
 Voltage Rating: 5V AC/DC
 Ambient Temperature Range: -40°C ~ +85°C
 Storage Temperature Range: -40°C ~ +85°C
 Ambient Humidity Range: 95% R.H. Max.
 Contact Resistance: 100mΩ Max.
 Insulation Resistance: 1000MΩ Min./500V DC
 Mating Cycles: 3000-8000 Insertions.
 Peak temperature: 260°C



SIM Pin Assignment	
Pin #	Name
C1	VCC
C2	RST
C3	CLK
C5	GND
C6	VPP
C7	I/O



GENERAL TOLERANCE		ANGLE TOLERANCE		PROJECTION	Description:
.X	±0.15	.X	±5°	UNITS	Nano SIM CONN; PUSH/ PUSH, 6Pin, H1.37mm, with CD Pin L-KLS1-SIM-066-(6+1)P-H1.37-R
.X	±0.03	.X	±3°	SHEET SIZE	
.XX	±0.05	.XX	±2°	KLS P/N:	
Draw by:	Jenny	Date:	2018-03-10	 NingBo KLS ELECTRONIC CO.,LTD.	
Check by:		Date:	2018-03-10		
SCALE		SHEET	1 OF 1		