

isc N-Channel MOSFET Transistor

IXFH46N65X2

• FEATURES

- With TO-247 packaging
- With low gate drive requirements
- Easy to drive
- 100% avalanche tested
- Minimum Lot-to-Lot variations for robust device performance and reliable operation

• APPLICATIONS

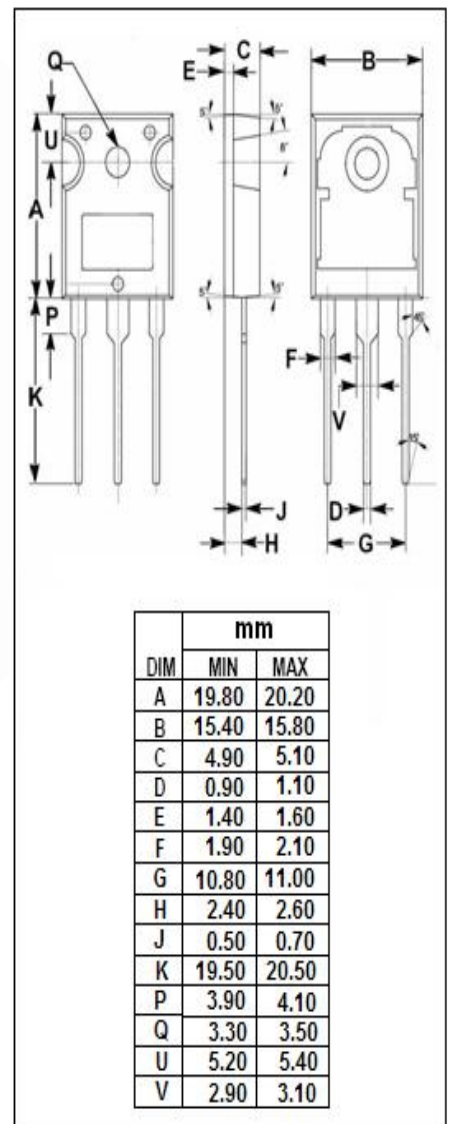
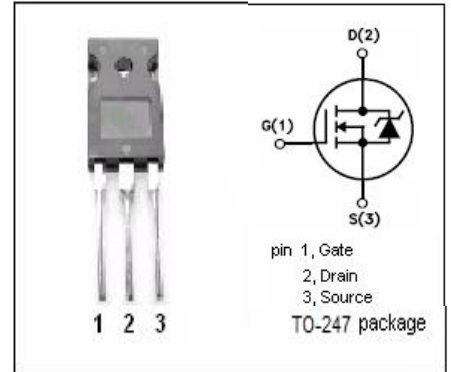
- Switching applications

• ABSOLUTE MAXIMUM RATINGS(T_a=25°C)

SYMBOL	PARAMETER	VALUE	UNIT
V _{DSS}	Drain-Source Voltage	650	V
V _{GSS}	Gate-Source Voltage	±30	V
I _D	Drain Current-Continuous	46	A
I _{DM}	Drain Current-Single Pulsed	100	A
P _D	Total Dissipation	660	W
T _j	Operating Junction Temperature	-55~150	°C
T _{stg}	Storage Temperature	-55~150	°C

• THERMAL CHARACTERISTICS

SYMBOL	PARAMETER	MAX	UNIT
R _{th(ch-c)}	Channel-to-case thermal resistance	0.19	°C/W



isc N-Channel MOSFET Transistor
IXFH46N65X2
ELECTRICAL CHARACTERISTICS

 T_C=25°C unless otherwise specified

SYMBOL	PARAMETER	CONDITIONS	MIN	TYP	MAX	UNIT
BV _{DSS}	Drain-Source Breakdown Voltage	V _{GS} =0V; I _D = 1mA	650			V
V _{GS(th)}	Gate Threshold Voltage	V _{DS} =±30V; I _D =4mA	3.5		5.5	V
R _{DS(on)}	Drain-Source On-Resistance	V _{GS} = 10V; I _D =23A			69	mΩ
I _{GSS}	Gate-Source Leakage Current	V _{GS} = ±30V; V _{DS} = 0V			±0.1	μA
I _{DSS}	Drain-Source Leakage Current	V _{DS} = 650V; V _{GS} = 0V; @T _C =25°C T _C =125°C			25 2000	μA
V _{SDF}	Diode forward voltage	I _{SD} =46A, V _{GS} = 0 V			1.4	V